

Tremco illbruck Ltd

Coupland Road
Hindley Green
Wigan
Lancashire WN2 4HT
Tel: 0191 419 0505 Fax: 0191 419 2200
e-mail: uk.sales@tremco-illbruck.com
website: www.tremco-illbruck.co.uk



Agrément Certificate
96/3309
Product Sheet 1

TREMCO ILLBRUCK LTD

COMPRIBAND TP600 SEALING TAPES

This Agrément Certificate Product Sheet⁽¹⁾ relates to Compriband TP600 Sealing Tapes, a range of weathertight seals for use in new or existing structural and expansion joints, in structural units of timber, plastics, masonry, metal, concrete and as perimeter seals for windows.

(1) Hereinafter referred to as 'Certificate'.

CERTIFICATION INCLUDES:

- factors relating to compliance with Building Regulations where applicable
- factors relating to additional non-regulatory information where applicable
- independently verified technical specification
- assessment criteria and technical investigations
- design considerations
- installation guidance
- regular surveillance of production
- formal three-yearly review.



KEY FACTORS ASSESSED

Weathertightness — the products will resist the passage of wind-driven rain, snow, run-off water and dust into the interior of the building (see section 6).

Durability — the products have a service life of up to 20 years (see section 8).

The BBA has awarded this Agrément Certificate to the company named above for the products described herein. These products have been assessed by the BBA as being fit for their intended use provided they are installed, used and maintained as set out in this Certificate.

On behalf of the British Board of Agrément

A handwritten signature in black ink, appearing to read 'Simon Wroe'.

A handwritten signature in black ink, appearing to read 'Claire Curtis-Thomas'.

Date of Second issue: 28 November 2013

Simon Wroe
Head of Approvals — Materials

Claire Curtis-Thomas
Chief Executive

Originally certificated on 26 December 1996

The BBA is a UKAS accredited certification body — Number 113. The schedule of the current scope of accreditation for product certification is available in pdf format via the UKAS link on the BBA website at www.bbacerts.co.uk

Readers are advised to check the validity and latest issue number of this Agrément Certificate by either referring to the BBA website or contacting the BBA direct.

British Board of Agrément
Bucknalls Lane
Watford
Herts WD25 9BA

tel: 01923 665300
fax: 01923 665301
e-mail: mail@bba.star.co.uk
website: www.bbacerts.co.uk

©2013

Regulations

In the opinion of the BBA, Compriband TP600 Sealing Tapes, if installed, used and maintained in accordance with this Certificate, will meet or contribute to meeting the relevant requirements of the following Building Regulations (the presence of a UK map indicates that the subject is related to the Building Regulations in the region or regions of the UK depicted):



The Building Regulations 2010 (England and Wales) (as amended)

Requirement:	C2(b)	Resistance to moisture
Comment:		The products will contribute to a wall meeting this Requirement. See section 6.1 of this Certificate.
Regulation:	7	Materials and workmanship
Comment:		The products are acceptable materials. See section 8.3 and the <i>Installation</i> part of this Certificate.



The Building (Scotland) Regulations 2004 (as amended)

Regulation:	8(1)	Fitness and durability of materials and workmanship
Comment:		The use of the products satisfies the requirements of this Regulation. See section 8.3 and the <i>Installation</i> part of this Certificate.
Regulation:	9	Building standards applicable to construction
Standard:	3.10	Precipitation
Comment:		The products can contribute to satisfying this Standard, with reference to clauses 3.10.1 ⁽¹⁾⁽²⁾ and 3.10.7 ⁽¹⁾⁽²⁾ of this Standard. See section 6.1 of this Certificate.
Standard:	7.1(a)	Statement of sustainability
Comment:		The products can contribute to meeting the relevant Requirements of Regulation 9, Standards 1 to 6, and, therefore, will contribute to a construction meeting a bronze level of sustainability as defined in this Standard.
Regulation:	12	Building standards applicable to conversions
Comment:		All comments given for these products under Regulation 9, Standards 1 to 6, also apply to this Regulation, with reference to clause 0.12.1 ⁽¹⁾⁽²⁾ and Schedule 6 ⁽¹⁾⁽²⁾ . (1) Technical Handbook (Domestic). (2) Technical Handbook (Non-Domestic).



The Building Regulations (Northern Ireland) 2012

Regulation:	23(a)(i)(iii)(b)(i)	Fitness of materials and workmanship
Comment:		The products are acceptable. See section 8.3 and the <i>Installation</i> part of this Certificate.
Regulation:	28	Resistance to moisture and weather
Comment:		The products will contribute to a wall satisfying this Regulation. See section 6.1 of this Certificate.

Construction (Design and Management) Regulations 2007

Construction (Design and Management) Regulations (Northern Ireland) 2007

In the opinion of the BBA, there is no information in this Certificate which relates to the obligations of the client, CDM co-ordinator, designer and contractors under these Regulations.

Additional Information

NHBC Standards 2013

NHBC accepts the use of Compriband TP600 Sealing Tapes, provided they are installed, used and maintained in accordance with this Certificate, in relation to *NHBC Standards*, Chapter 6.1 *External masonry walls* and Chapter 6.9 *Curtain walling and cladding*.

Assessment and Technical Investigations

The following is a summary of the assessment and technical investigations carried out on Compriband TP600 Sealing Tapes.

Technical Specification

1 Description

1.1 Compriband TP600 Sealing Tapes are polyurethane weathertight seals for use in new or existing structural and expansion joints. The tapes are available in a range sizes.

1.2 Nominal characteristics of the tapes are given in Table 1.

Table 1 Nominal characteristics

Characteristic ⁽¹⁾	Value
Colour	anthracite, grey
Density (kg·m ⁻³)	
up to code No 7–12	85–100
from code No 8–15 ⁽²⁾ to 13–24 ⁽²⁾	99–121
from code No 17–32	108–132
from code No 28–40	117–143
Cross-section	various

(1) Sizes and code Nos are given in Table 2.

(2) Grey-colour tape has a density of from 108 kg·m⁻³ to 132 kg·m⁻³.

1.3 When fitted in a joint, the tapes re-expand to fill and seal the joint. To provide a weathertight seal, the optimum final compression is 20% of the fully expanded thickness.

1.4 When on the roll, the adhesive layer is protected by a silicone release paper.

1.5 Quality control checks are carried out on the foam, impregnating mixture and on the finished product.

1.6 Dimensions of the tapes are given in Table 2.

Table 2 Tape dimensions

Tape size/code No	Suitable joint depth (mm) ⁽¹⁾	Suitable joint width (mm) ⁽²⁾
10/2	10	2
10/3	10	3
10/3–7	10	3–7
15/3–7	15	3–7
20/3–7	20	3–7
25/3–7	25	3–7
15/5–10	15	5–10
20/5–10	20	5–10
25/5–10	25	5–10
15/7–12	15	7–12
20/7–12	20	7–12
25/7–12	25	7–12
15/8–15	15	8–15
20/8–15	20	8–15
30/8–15	30	8–15
20/10–18	20	10–18
25/10–18	25	10–18
30/10–18	30	10–18
20/13–24	20	13–24
25/13–24	25	13–24
30/13–24	30	13–24
30/17–32	30	17–32
35/17–32	35	17–32
40/28–40	40	28–40

(1) Joint depth defines tape width.

(2) Joint width defines tape height.

2 Manufacture

2.1 The tapes are manufactured from soft polyurethane foam impregnated with a flame-retardant synthetic resin.

2.2 As part of the assessment and ongoing surveillance of product quality, the BBA has:

- agreed with the manufacturer the quality control procedures and product testing to be undertaken
- assessed and agreed the quality control operated over batches of incoming materials
- monitored the production process and verified that it is in accordance with the documented process
- evaluated the process for management of nonconformities

- checked that equipment has been properly tested and calibrated
- undertaken to carry out the above measures on a regular basis through a surveillance process, to verify that the specifications and quality control operated by the manufacturer are being maintained.

2.3 The management system of Tremco Illbruck Production GmbH has been assessed and registered as meeting the requirements of BS EN ISO 9001 : 2008 by TÜV Rheinland Industrie Service GmbH (Certificate 01 100 4301).

3 Delivery and site handling

3.1 Tapes are supplied pre-compressed, wound into rolls and secured by a leader tape.

3.2 Tapes are delivered in cartons (the contents vary according to size of tapes) bearing the manufacturer's name and size of tapes.

Design Considerations

4 General

4.1 Compriband TP600 Sealing Tapes are satisfactory for use to provide a weathertight seal to structural and expansion joints, and in new or existing joints in structural units of timber, plastics, masonry, metal or concrete.

4.2 Where particularly wide joints are to be sealed, two or more tapes may be superimposed to achieve the final overall compression of between 20% and 33% of the fully expanded dimension (typical tape sizes for various joint widths are given in Table 2).

4.3 Examples of indicative joint designs are shown in Figures 1 to 6.

Figure 1 Walls

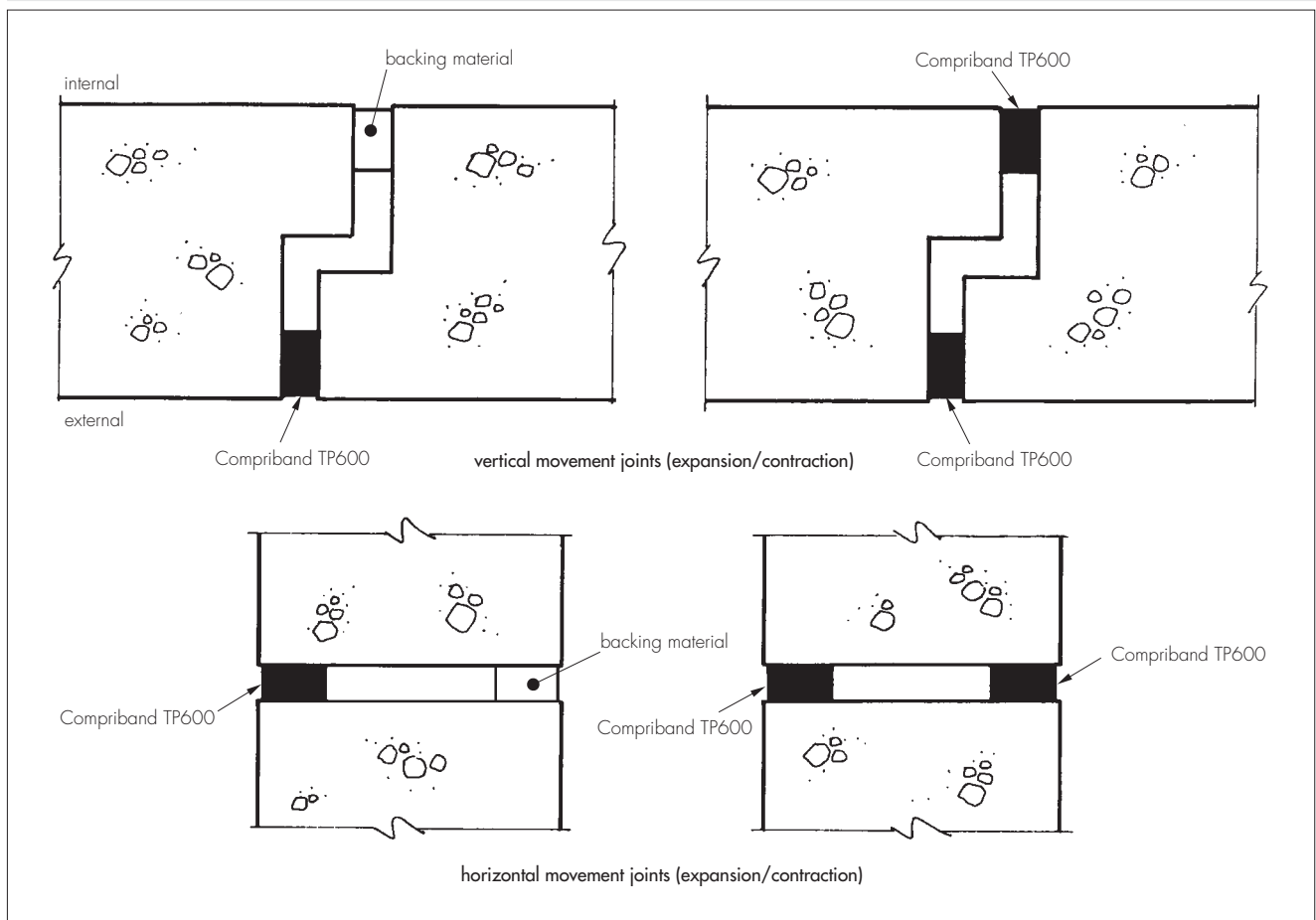


Figure 2 Walls — precast concrete panels

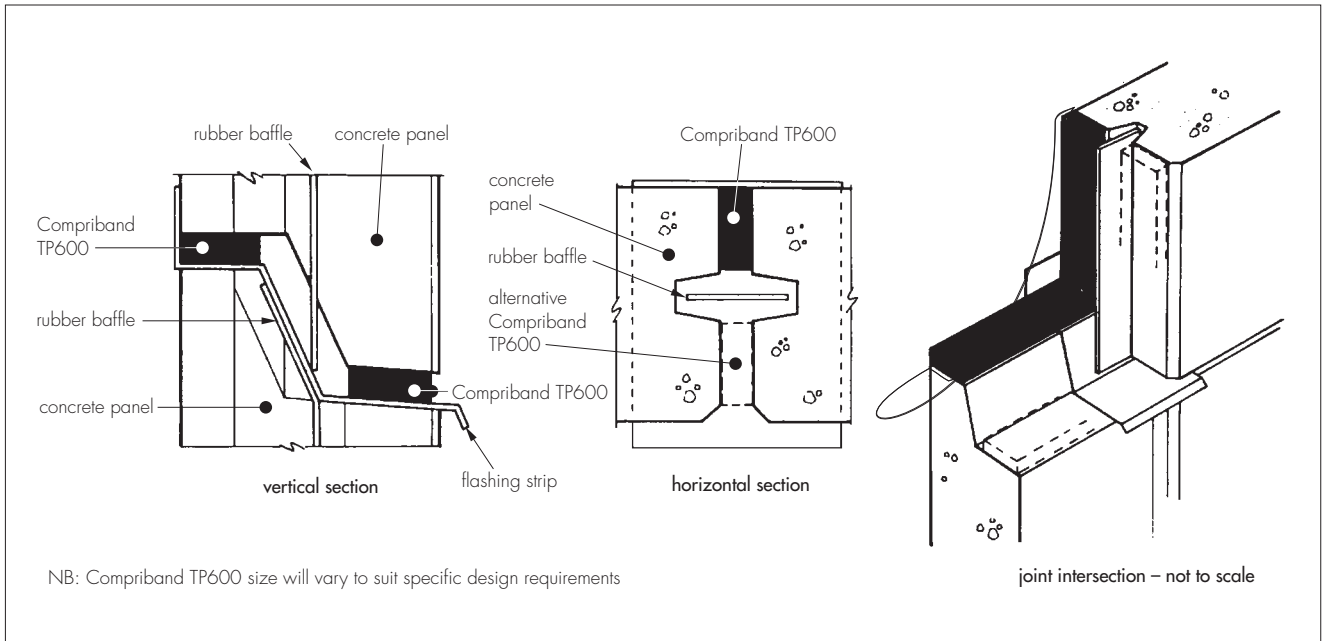


Figure 3 Door and window head and sills — timber

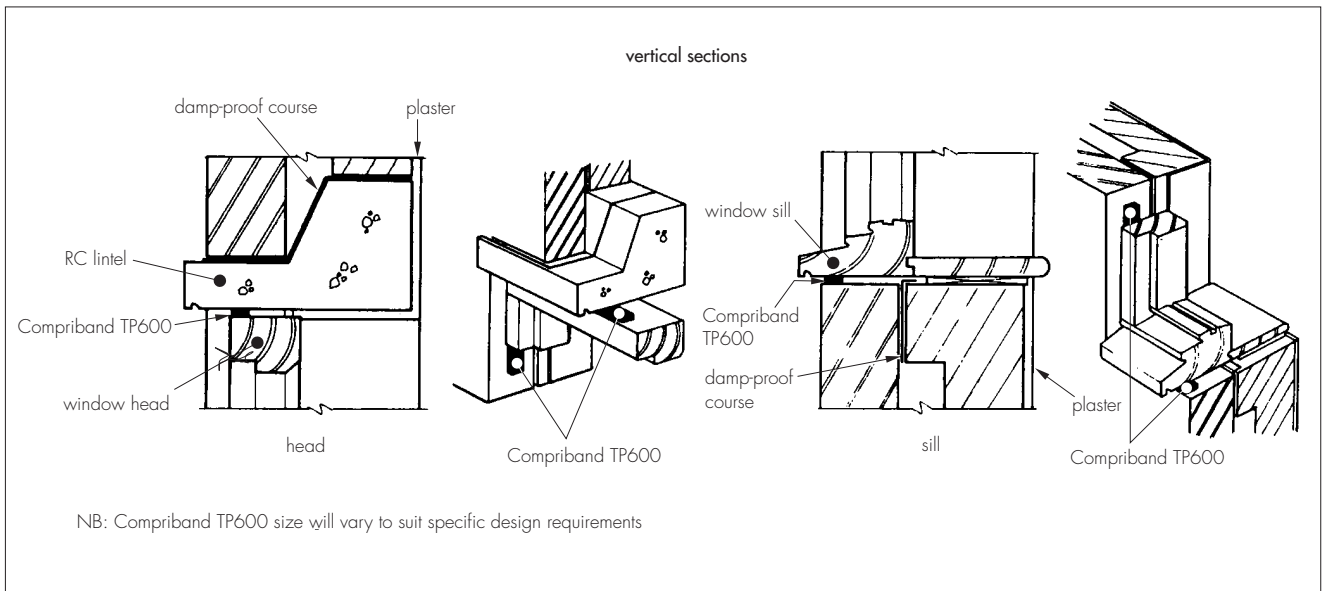


Figure 4 Door and window jambs — timber

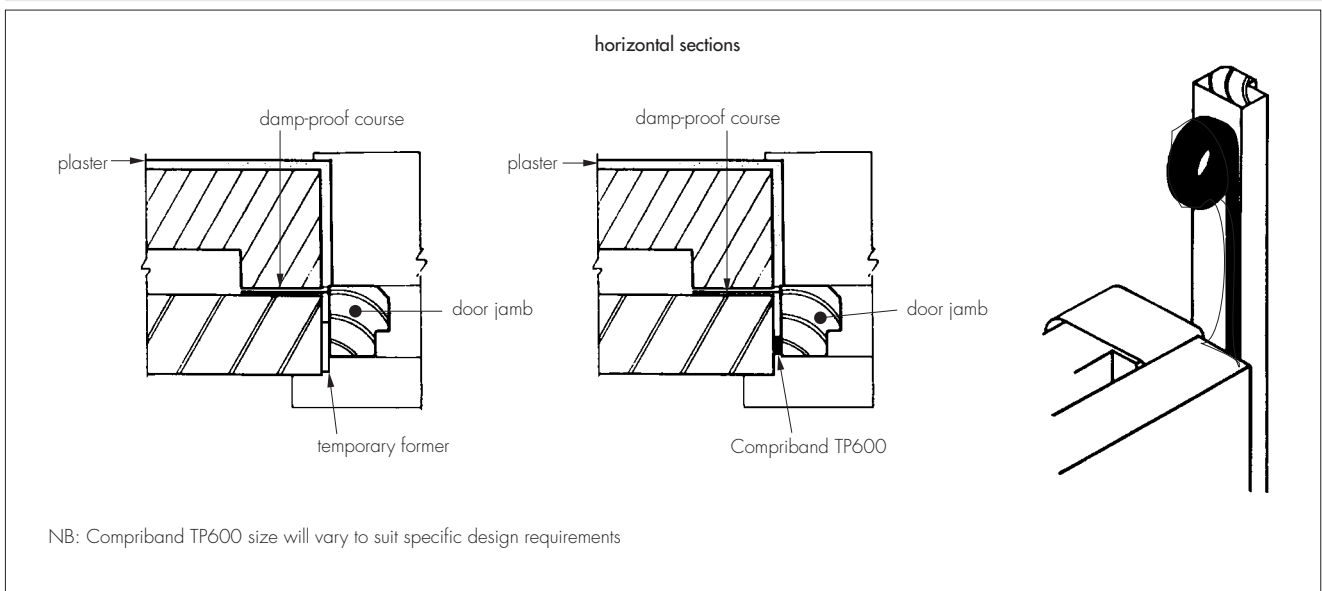


Figure 5 Timber frame walls

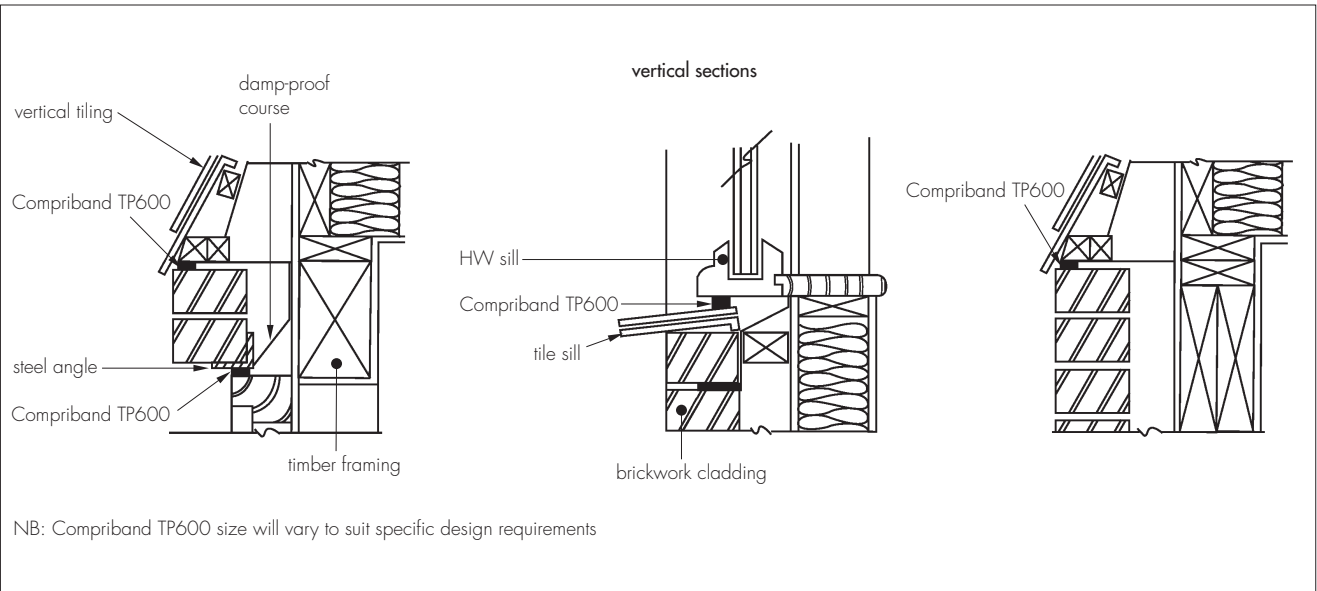
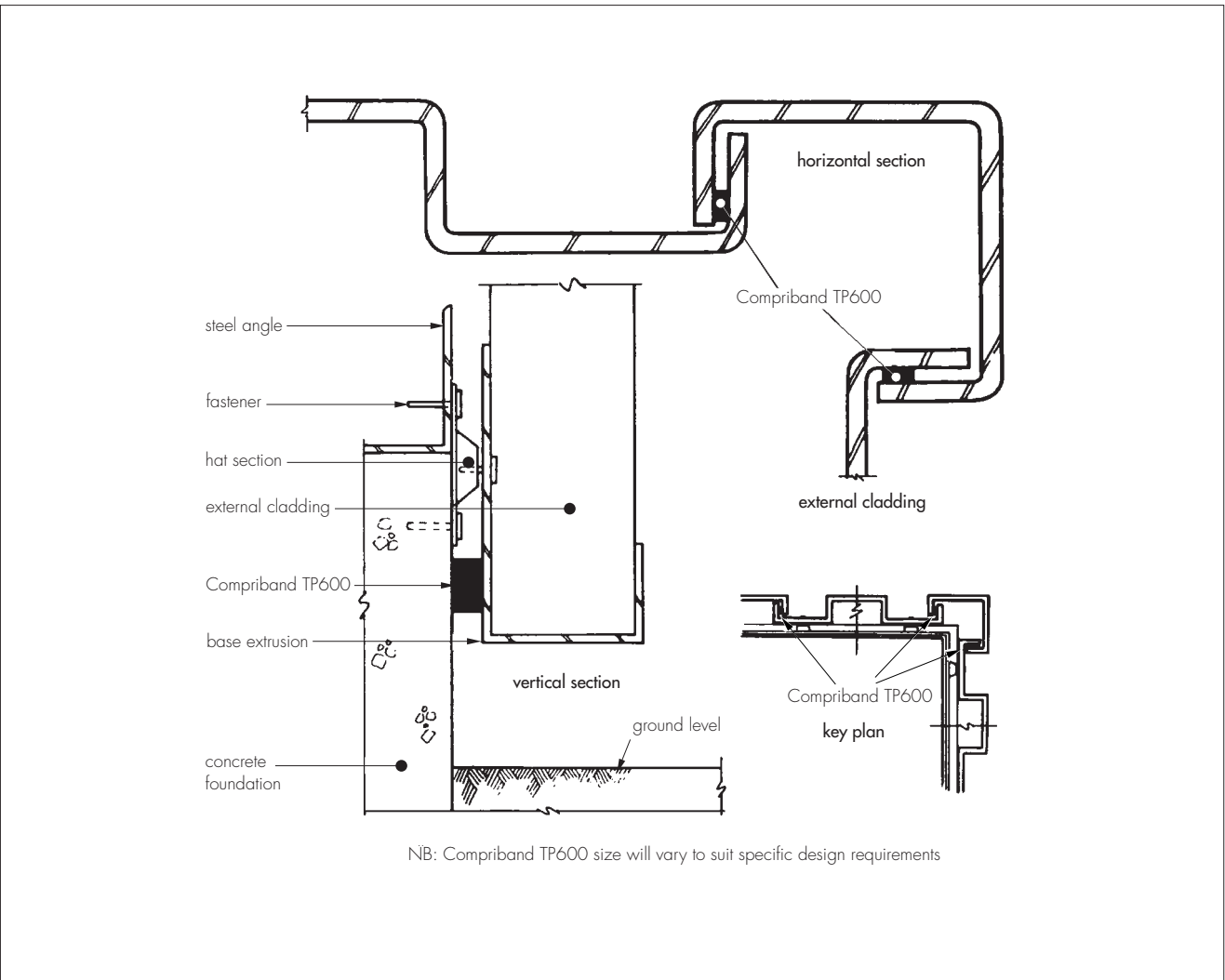


Figure 6 External sheet cladding



5 Practicability of installation

The products are designed to be installed by a competent general builder or contractor experienced with this type of product.

6 Weathertightness



6.1 To achieve optimum resistance to water penetration, the tape should be used under 80% compression. However, the tape has a satisfactory weathertightness if used at 63% compression.

6.2 The tapes are not designed to withstand a head of water; in these situations the advice of the Certificate holder should be sought.

7 Maintenance

As the products are confined within the wall and have suitable durability (see section 8), maintenance is not required.

8 Durability

8.1 Samples removed from existing joints after 10 years had properties comparable with recently manufactured samples.

8.2 The first 4 mm to 5 mm of the depth of samples showed signs of deterioration, however, this had caused a skin to form, helping to protect the remaining material from further degradation.



8.3 On the basis of experience gained in Germany, and data from accelerated laboratory tests, a service life of at least 20 years is anticipated.

Installation

9 General

9.1 Installation must be carried out in accordance with the Certificate holder's instructions. Compriband TP600 Sealing Tapes may be installed in all conditions likely to occur in practice; however, care should be taken when used at lower ambient temperatures (see section 9.3).

9.2 Joints must be clean and free from debris, eg dirt, mortar residue, likely to obstruct adhesion. The inner surfaces of the joints to be filled should be as smooth as possible. To achieve a perfect seal in masonry, the changes in level at mortar joints must be as small as possible.

9.3 The tape will start to re-expand as soon as it is unwound from the roll. The rate of re-expansion is temperature dependent, and at low ambient temperatures the rate can be increased by the gentle application of heat. At high temperatures, the tapes should be stored in a cool environment prior to use (see Table 3).

Table 3 Approximate times to expand to fill a joint using 20/3-7 tape

Temperature (°C)	Re-expansion time ⁽¹⁾⁽²⁾
5	24 hours
23	10-120 mins

(1) At temperatures below 0°C re-expansion will be slow.

(2) Dependent on age of tape at the time of use.

10 Practices

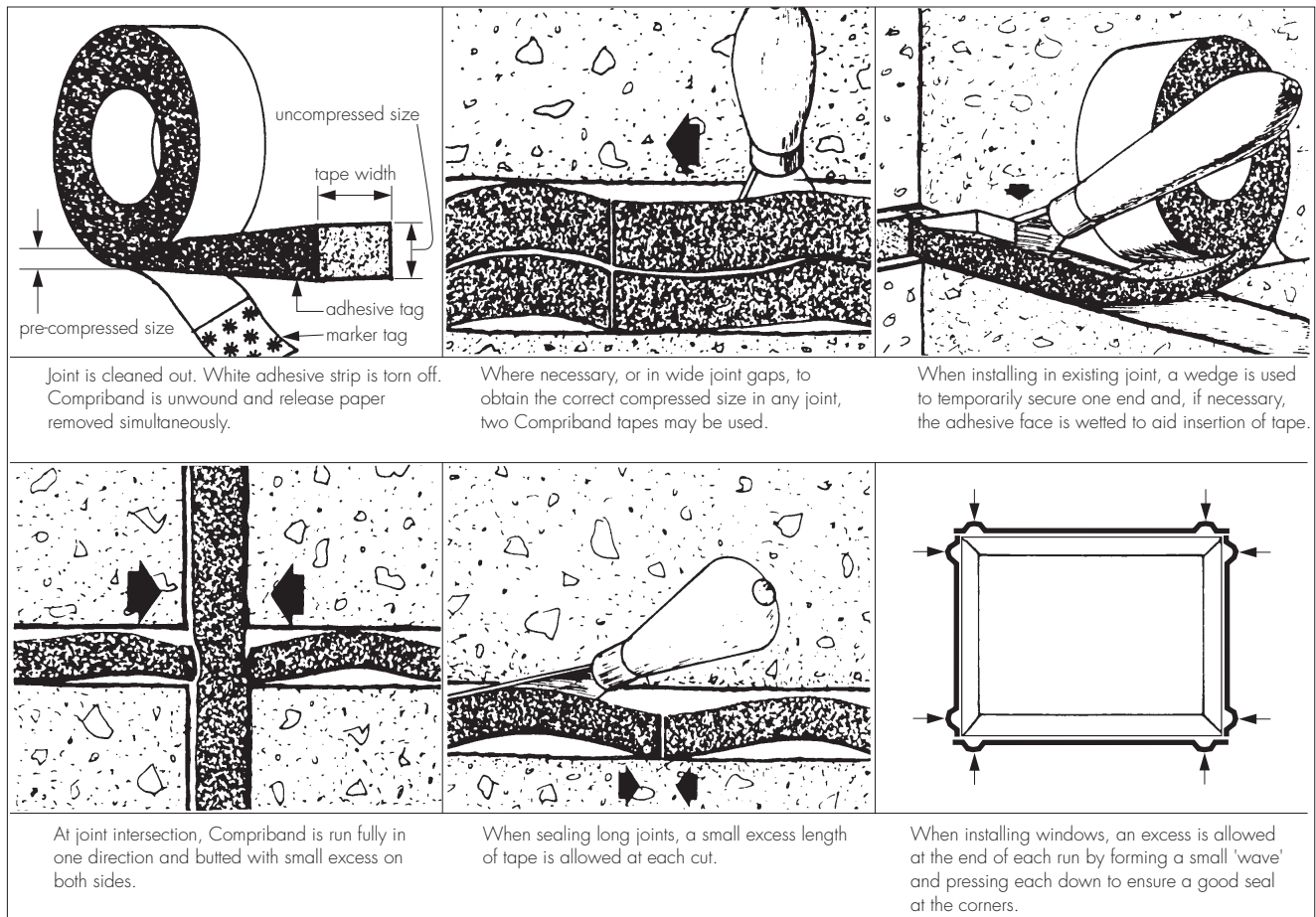
10.1 The dimensions of the joint to be filled govern the size of tape used, but the depth of the joint must not be less than the width of the tape. For particularly wide joints, two or more tapes may be superimposed.

10.2 When using the tapes to seal between prefabricated units during construction, the seal must be bonded to the unit already in position. The adjoining unit can then be fitted.

10.3 Joints should be designed and the tapes positioned to ensure that differential movement between panels does not tend to force the product out of the joint.

10.4 The length of the joint to be sealed must be measured and an overlap of 10 mm per metre run allowed when the tape is cut to the required length. The silicone release paper must be removed and the tape positioned in the joint, starting at the end and aligned with a short straight edge set back from the front face of the joint (see Figure 7).

Figure 7 Installation practices



Technical Investigations

11 Tests

11.1 Tests were undertaken on samples of the tapes and the results assessed to determine:

- density of foam
- density of foam with impregnate
- percentage of impregnated material
- tensile strength
- elongation at break
- compatibility with building materials
- cold bend ability
- compression deflection
- resistance to driving rain (water leakage)
- resistance to root penetration
- resistance to oil and water-based wood preservatives
- resistance to fungal attack
- resistance to alkali
- resistance to heat ageing
- resistance to artificial weathering
- resistance to freeze/thaw cycling
- resistance to fatigue cycling.

11.2 Samples taken from existing sites 10 years after installation were evaluated and subjected to many of the tests listed in section 10.1. The samples were found to have properties comparable to those of the new material.

12 Investigations

12.1 The manufacturing process was evaluated, and the raw material specifications and quality control procedures were established.

12.2 A user survey was conducted to establish the product's performance in the UK

Conditions of Certification

13 Conditions

13.1 This Certificate:

- relates only to the product/system that is named and described on the front page
- is issued only to the company, firm, organisation or person named on the front page — no other company, firm, organisation or person may hold or claim that this Certificate has been issued to them
- is valid only within the UK
- has to be read, considered and used as a whole document — it may be misleading and will be incomplete to be selective;
- is copyright of the BBA
- is subject to English Law.

13.2 Publications, documents, specifications, legislation, regulations, standards and the like referenced in this Certificate are those that were current and/or deemed relevant by the BBA at the date of issue or reissue of this Certificate.

13.3 This Certificate will remain valid for an unlimited period provided that the product/system and its manufacture and/or fabrication, including all related and relevant parts and processes thereof:

- are maintained at or above the levels which have been assessed and found to be satisfactory by the BBA
- continue to be checked as and when deemed appropriate by the BBA under arrangements that it will determine
- are reviewed by the BBA as and when it considers appropriate.

13.4 The BBA has used due skill, care and diligence in preparing this Certificate, but no warranty is provided.

13.5 In issuing this Certificate, the BBA is not responsible and is excluded from any liability to any company, firm, organisation or person, for any matters arising directly or indirectly from:

- the presence or absence of any patent, intellectual property or similar rights subsisting in the product/system or any other product/system
- the right of the Certificate holder to manufacture, supply, install, maintain or market the product/system
- actual installations of the product/system, including their nature, design, methods, performance, workmanship and maintenance
- any works and constructions in which the product/system is installed, including their nature, design, methods, performance, workmanship and maintenance
- any loss or damage, including personal injury, howsoever caused by the product/system, including its manufacture, supply, installation, use, maintenance and removal
- any claims by the manufacturer relating to CE marking.

13.6 Any information relating to the manufacture, supply, installation, use, maintenance and removal of this product/system which is contained or referred to in this Certificate is the minimum required to be met when the product/system is manufactured, supplied, installed, used, maintained and removed. It does not purport in any way to restate the requirements of the Health and Safety at Work etc. Act 1974, or of any other statutory, common law or other duty which may exist at the date of issue or reissue of this Certificate; nor is conformity with such information to be taken as satisfying the requirements of the 1974 Act or of any statutory, common law or other duty of care.